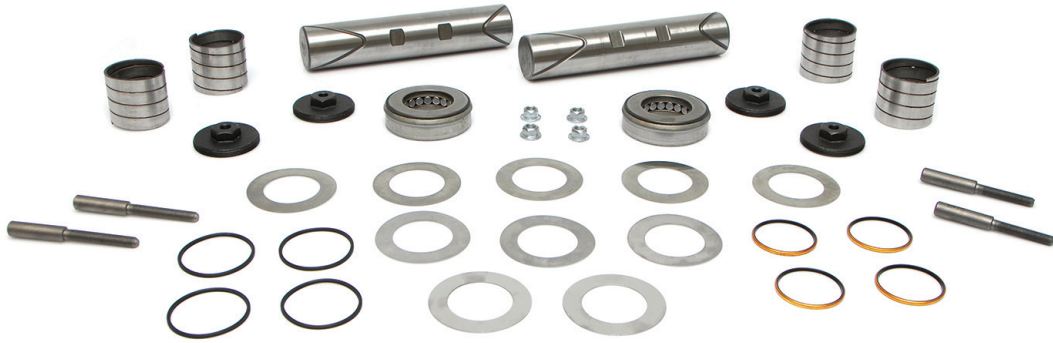




PARTSCAP



ALLIANCETM PARTS



Product Highlights

- Designed and manufactured to OEM specifications
- Available through PDC
- High Quality bearings

- In-house induction hardening process
 - Superior design of lubrication channels
 - Improved materials and heat treatment to increase wear resistance
 - Extensive industry experience
 - Quality Management Certifications: IATF 16949, ISO 14001, OHSAS 18001, ISO 10002, ISO 27001, ISO 28001
- Process Quality Certifications: CQI-8 (Layered Process Audit), CQI-9 (Heat Treat System), CQI-11 (Plating System) and CQI-12 (Coating System) standards

Top Movers - Steering King Pins

Media not found

Last updated: Thursday, 10 August 2023 05:51 PM

[^Back to Top](#)

Copyright © Daimler Truck North America LLC. [Privacy Statement, Legal Notices and Terms \(https://daimler-trucksnorthamerica.com/privacy-policy\)](https://daimler-trucksnorthamerica.com/privacy-policy).

All rights reserved. Daimler Truck North America LLC is a [Daimler \(http://www.daimler.com/\)](http://www.daimler.com/) company.

