

# ModulX<sup>®</sup>

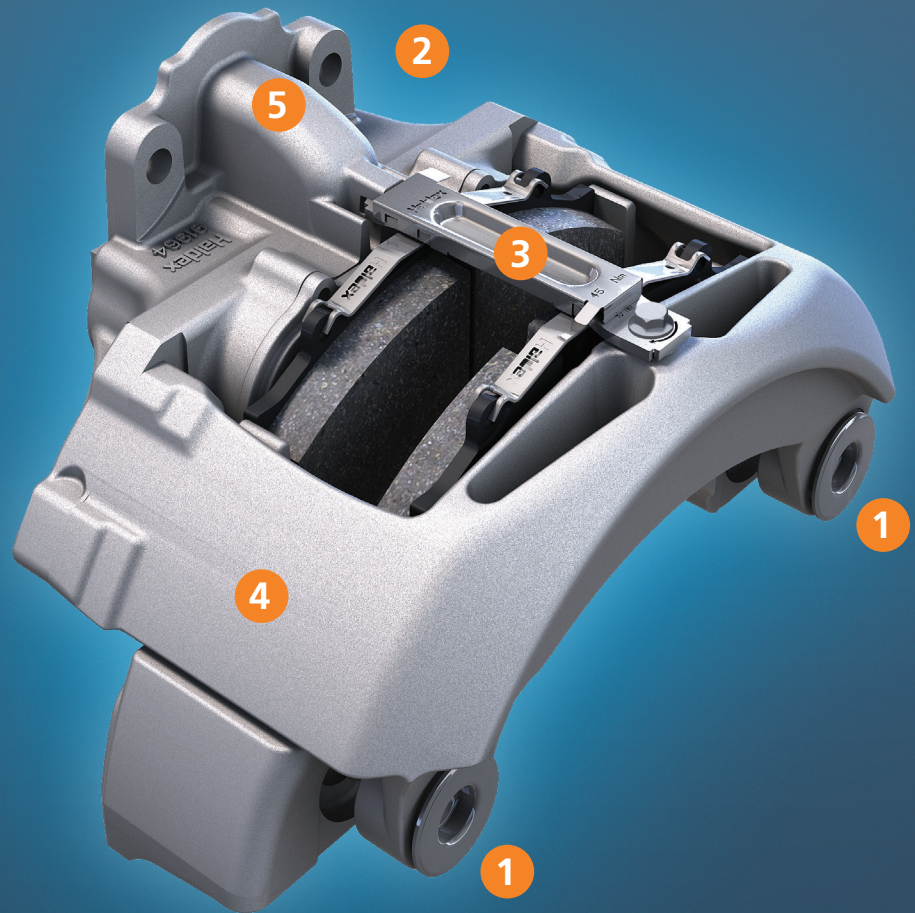
## Air Disc Brake



A robust, unhandled, modular disc brake design with unmatched reliability.

The ModulX<sup>®</sup> is an unhandled, modular disc brake with a two-piece caliper and superior four pin sliding design. It can be adapted to a wide range of truck, trailer and bus applications.

- 1 Lube-free, stainless-steel pins and PTFE coated steel bushings eliminate seizing risk and increase service life
- 2 Unhandled – fits left and right hand sides
- 3 Easy installation and service
- 4 Robust trailer application
- 5 Haldex industry-leading brake adjuster technology provides unmatched reliability



Performance and durability in a widely-adaptable, unhandled design.

**ModulX<sup>®</sup>**

# ModuLX<sup>®</sup> Easy to install. Easy to service.

## Calipers

After Market Part Number	Description	Truck or Trailer	Axle Weight*	Standard or Wide Bolt Pattern	With Carrier	With Pads
790-92799	DB22 UNV STD W/CR WO/P	Truck & Trailer	25K	Standard	Yes	No
790-94049	DB22 UNV DANA W/CR WO/P	Truck	25K	Dana	Yes	No
790-94025	DB22LT UNV STD W/CR WO/P	Trailer	23K	Standard	Yes	No
790-94829	DB22LT UNV WD W/CR WO/P	Trailer	23K	Wide	Yes	No

\*Maximum based off of actuator use

## Repair Kits and Tools

Part Number	Description*	Includes
790-22008	HX65, 1 wheel end, brake pad kit	2 pads HX65, 2 pad springs, 1 adjusting hex plug, 1 screw M10x30, 1 locking tab
790-22012	Dana Spicer ESD, 1 wheel end, brake pad kit	2 pads ESD225, 2 pad springs, 1 adjusting hex plug, 1 screw M10x30, 1 locking tab
790-22031	J539 1 wheel end, brake pad kit	2 DB22 pads J539, 2 pad springs, 1 adjusting hex plug, 1 screw M10x30, 1 locking tab
790-22040	J539, light, 1 wheel end, brake pad kit	2 DB22LT pads J539, 2 pad springs, 1 adjusting hex plug, 1 screw M10x30, 1 locking tab
790-94897	Pad assembly kit	1 pad retainer, 2 pad springs, 1 locking tab, 1 screw M10x30
790-94662	Seal kit for application unit, 1 wheel end	2 bellows, 1 adjusting hex plug, 2 bushings, 2 circlip DBM5.1, 2 circlip
790-95697	Slide function seal kit	6 bellows, 4 guide strips, 2 guide caps, 4 guides, 1 adjusting hex plug, 2 plate protection, 4 screws M14x2
790-94665	Protection springs for application unit, 1 wheel end	2 protection springs, 2 Circlip DBM 5.1 and 2 bushings
790-94892	Adjustment hex seal kit with shaft, 1 wheel end	1 radial shaft sealing, 1 adjusting hex plug, 1 adjustment shaft
791-1000	Tool kit	1 bellows assembly tool, 1 press tool radial seal, 1 guide assembly tool, 1 circlip assembly tool

## Haldex high performance and dependability

- Adaptable to multiple truck and trailer applications
- Reliable, rugged design keeps you on the road longer
- Fewer parts to stock and inventory
- Quick, easy maintenance means more uptime

Contact your Haldex sales professional.



[haldex.com](http://haldex.com)

1 800-643-2374 - US  
1 800-267-9247 - CANADA  
52-81-81569500 - MEXICO

Performance and durability in a widely-adaptable, unhandred design.

**ModuLX<sup>®</sup>**